

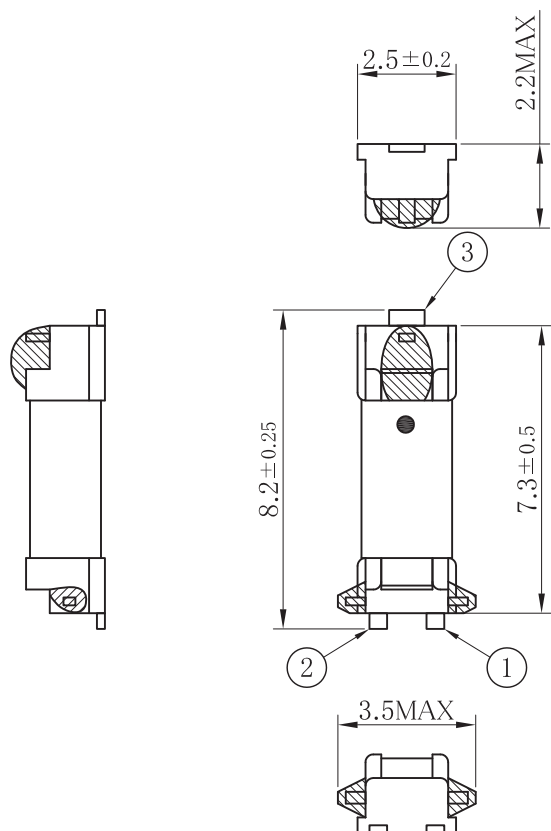
BO-02 series

Tokyo Coil Trigger Coils for Photoflash Xe Tubes

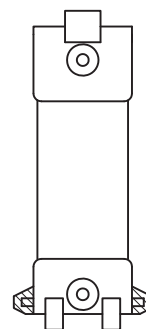
Dimensions

Rohs Compliant : Conformity to RoHS Directive

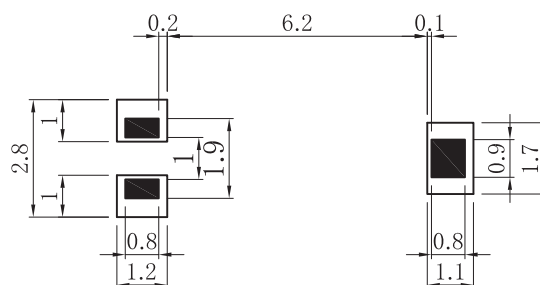
Top View



Bottom View



Pad Layout

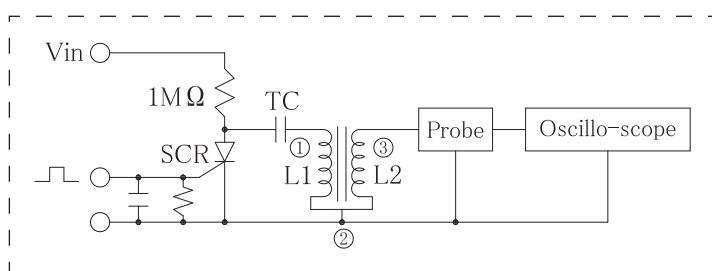


Electrical Specifications

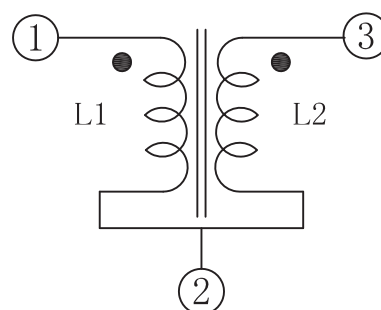
ex) BO-02-3

1 Out put voltage	0 ~ - P	- 5.0 KV ± 15%
	0 ~ + P	+ 4.6 KV ± 15%
2 Insulation resistance	Primary-core	DC500V / 100 MΩ
	Secondary-core	

4 Measuring condition



Schematics



Dot marks mean polarity

- * Oscilloscope - Tektronix TDS540C
- * Voltage distributor - Tektronix P6015A No.3B
- * Output measuring circuit : TCE standard #1 SCR1
- * SCR - CR02AM-8
- * TC - 0.047 μF/Cerachip (CF316X7R473K250AB)