

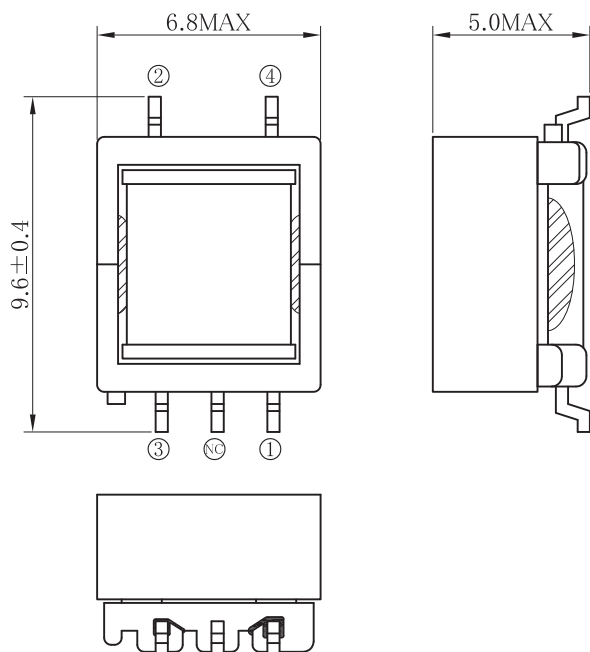
TTRN-060S series

Tokyo Coil SMD Transformers for Photoflash Capacitor Charger

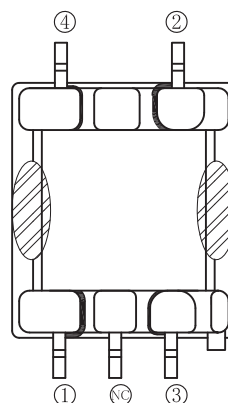
Dimensions

Rohs Compliant : Conformity to RoHS Directive

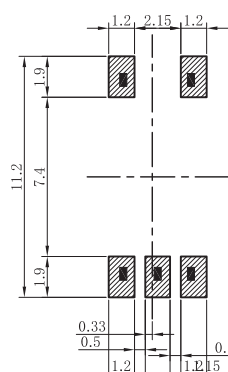
Top View



Bottom View



Pad Layout



Electrical Specifications

ex) TTRN-060S-035-T

1 INDUCTANCE (Primary)		6.23 μ H
2 RATIO		1 : 10.5
3 LEAKAGE INDUCTANCE (Primary inductance with secondary short)		0.120 μ H
4 DC Resistance	Primary Secondary	77.6 m Ω MAX 13.3 Ω MAX
5 Withstanding Voltage		Pri-Sec : 500Vrms
6 Operating Temperature Range		-20 to +85 deg.
7 Maximum primary switching current		3.2 A

Schematics

